



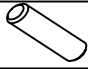






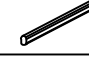
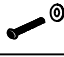




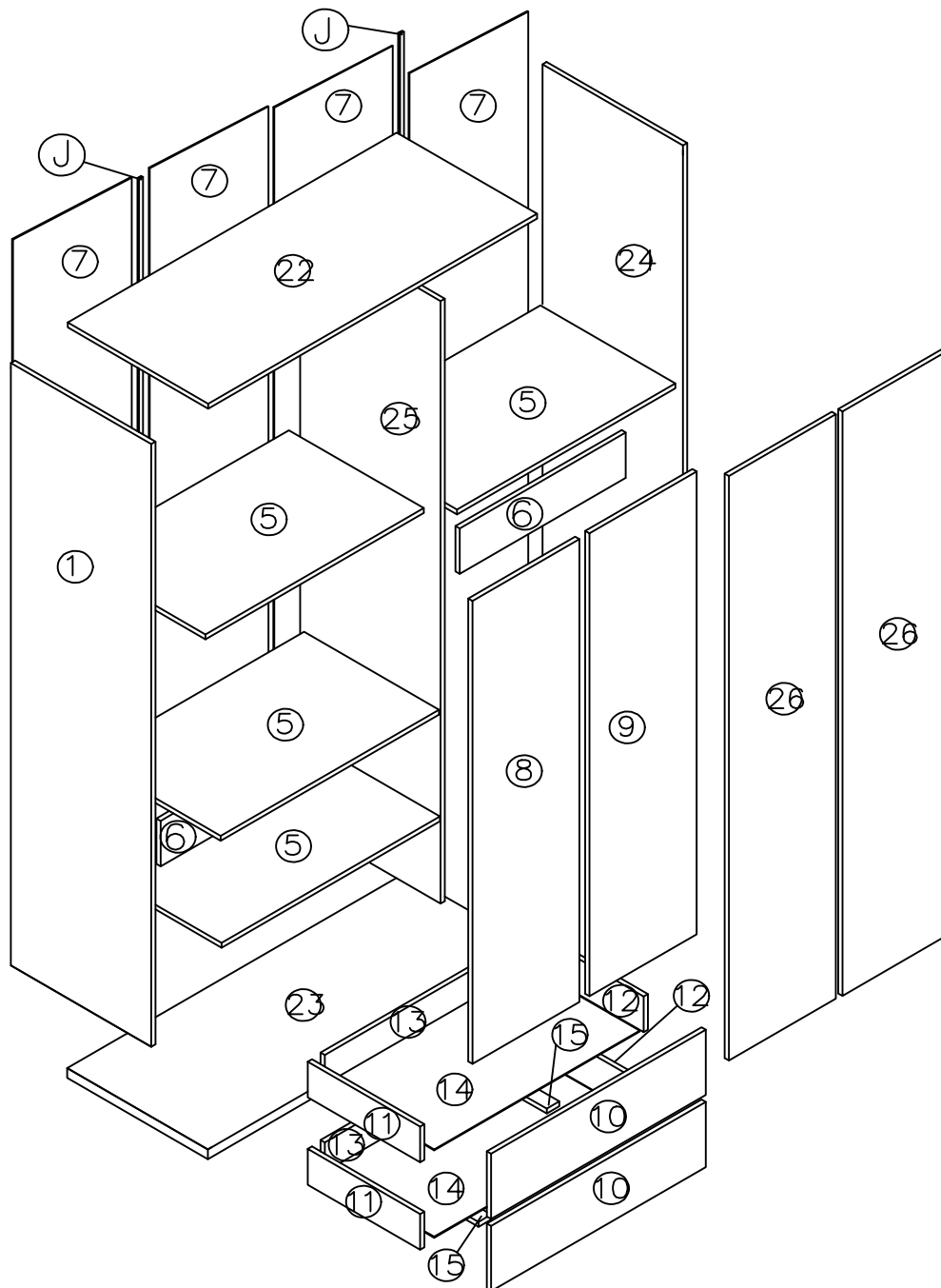


# ASSEMBLY INSTRUCTION

## Dublin 4 Door + 2 drawer wardrobe

A		∅15x12	46	SET	J		1852MM	2	PCS
B		∅7x29			K		∅4x16	24	PCS
C		∅8x30	28	PCS	L1		16"	2	SETS
D		∅3.5x14	104	PCS	L2				
E			10	PCS	M			6	PCS
F		∅4x40	10	PCS	N		772MM	1	PCS
G		M4x20	12	PCS	O			2	PCS
H		96MM	6	PCS	P			4	PCS
I		18MM	84	PCS					

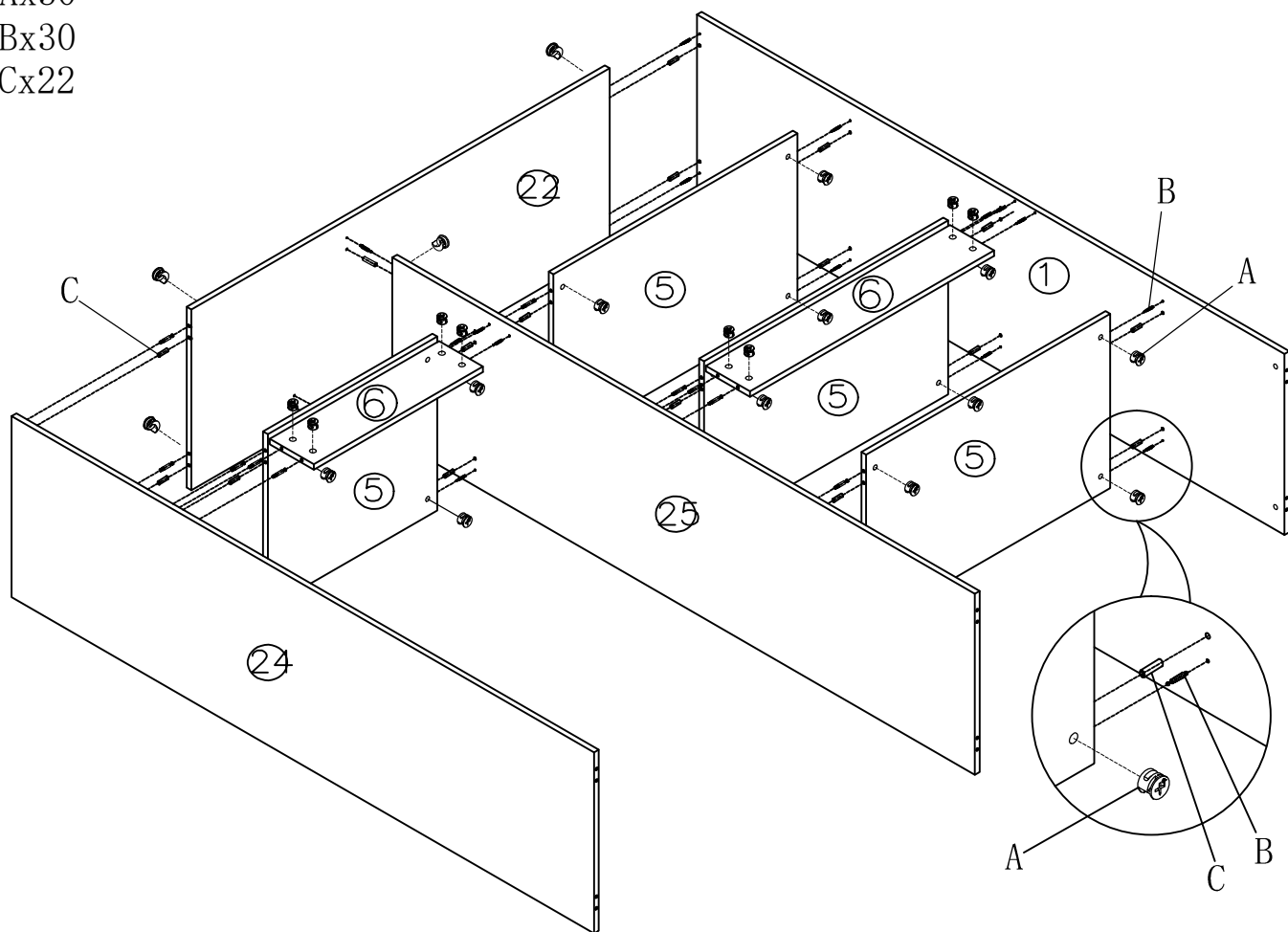


# STEP 1

Ax30

Bx30

Cx22

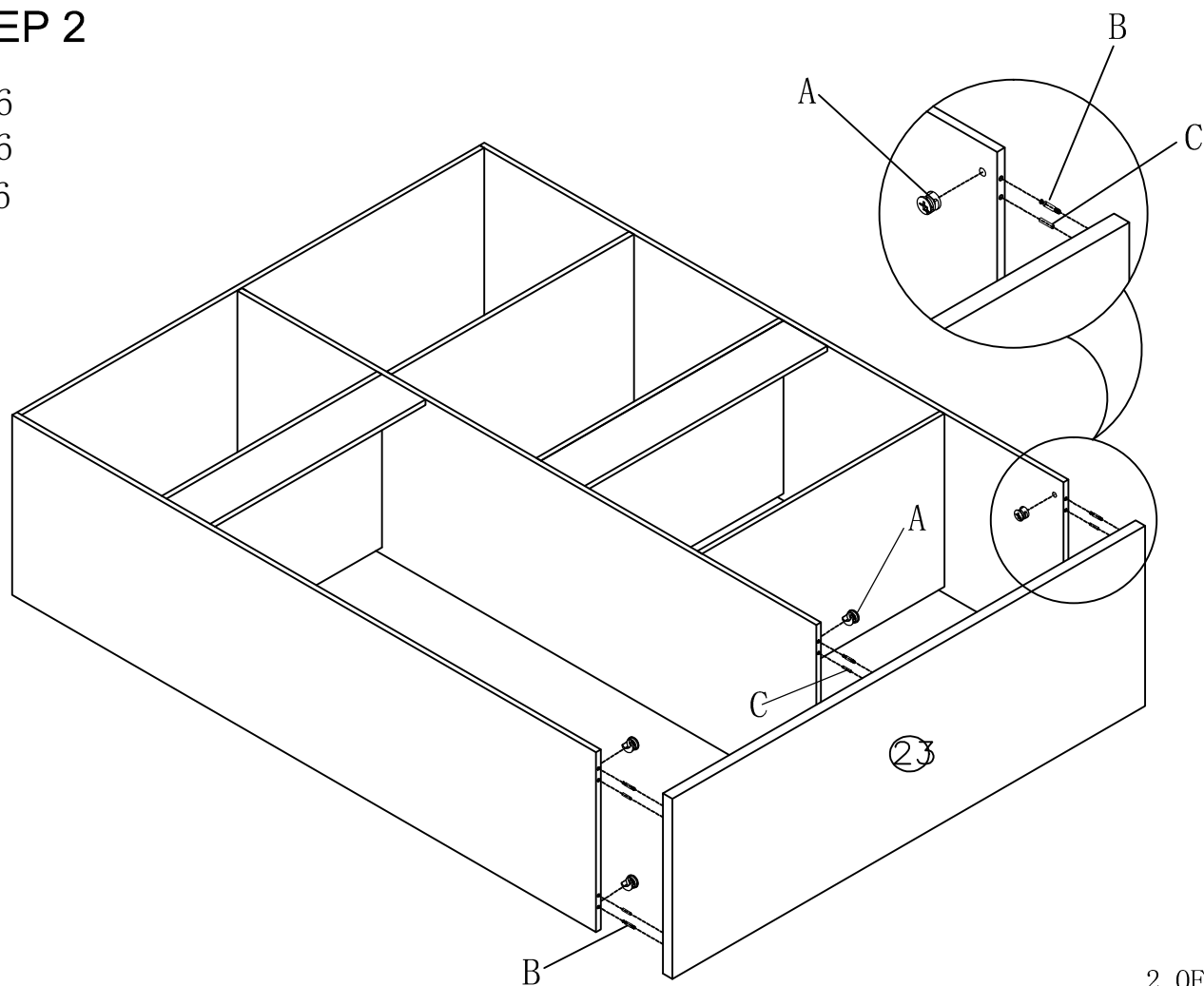


# STEP 2

Ax6

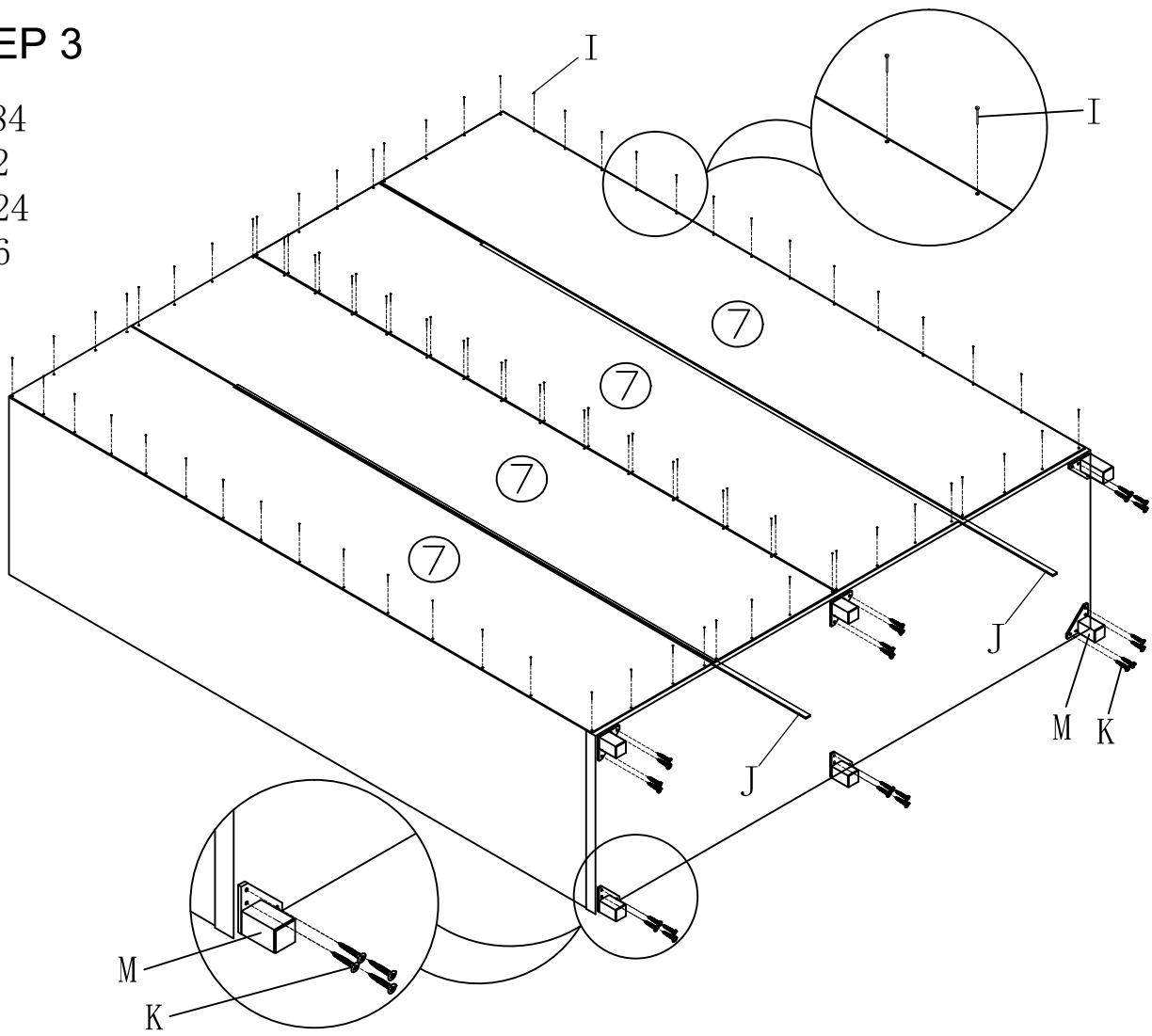
Bx6

Cx6



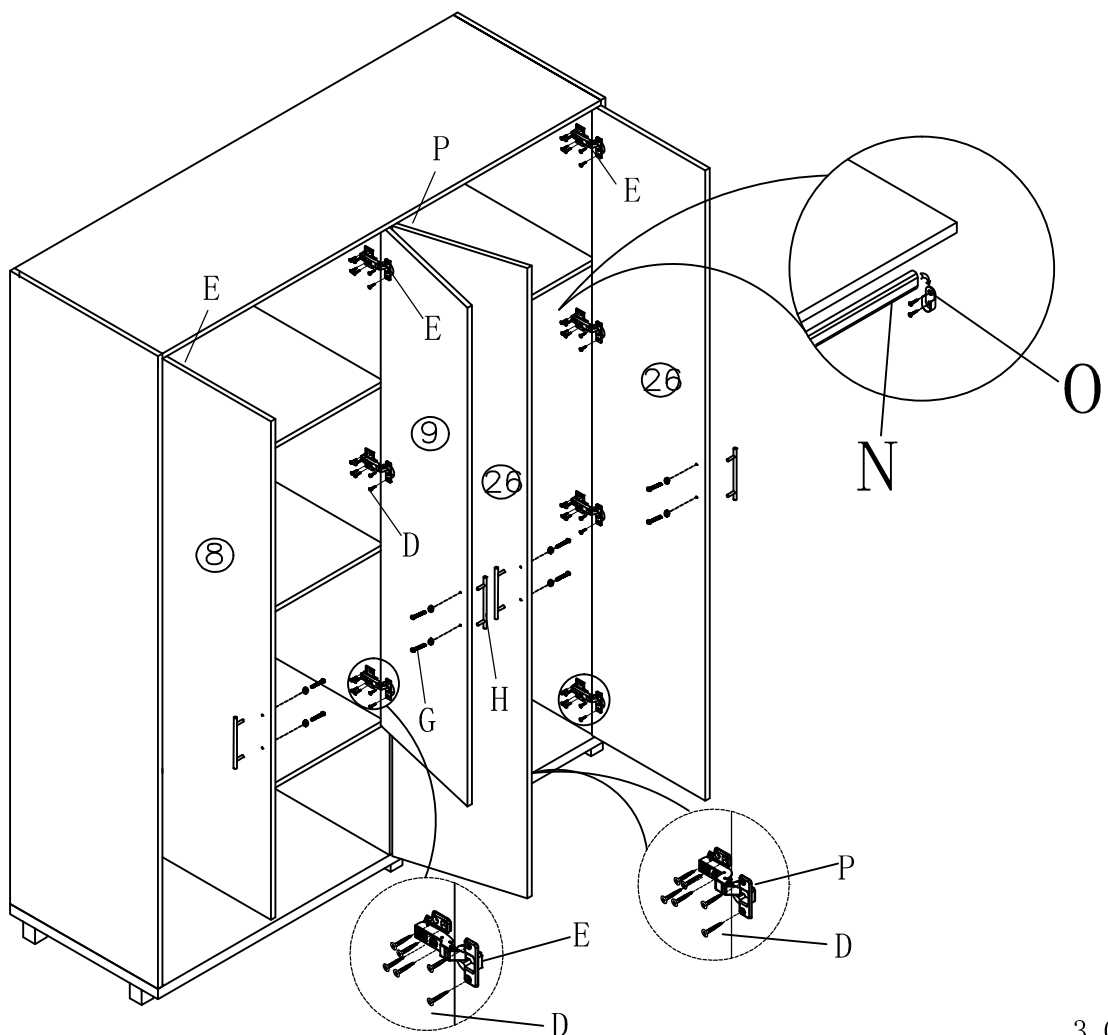
### STEP 3

Ix84  
Jx2  
Kx24  
Mx6



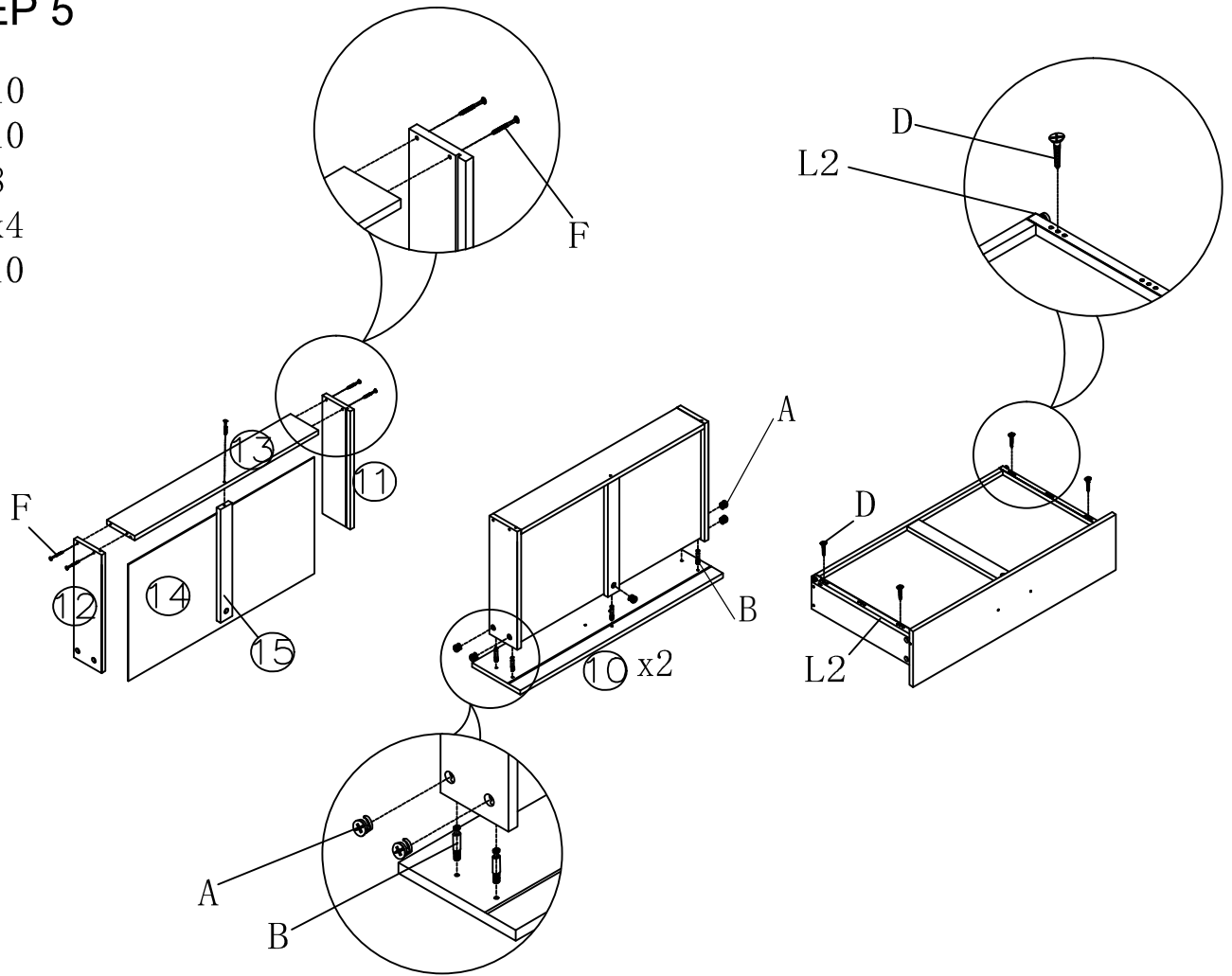
### STEP 4

Dx88  
Ex10  
Gx8  
Hx4  
Nx1  
Ox2  
Px4



## STEP 5

Ax10  
Bx10  
Dx8  
L2x4  
Fx10



## STEP 6

L1x4  
Dx8  
Gx4  
Hx2

